

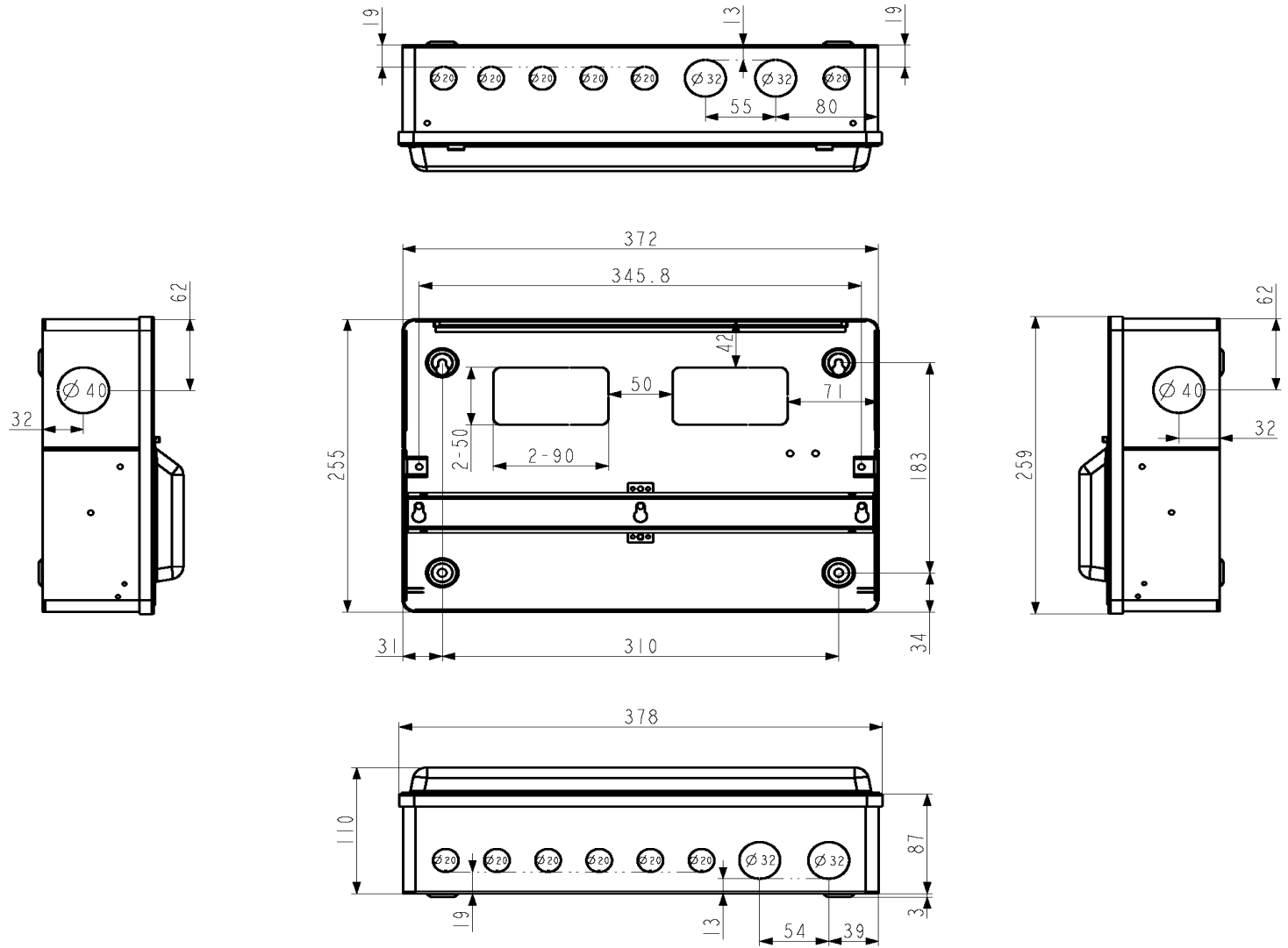
## DUAL TARIFF (2x 100A MAIN SWITCH)

	<b>14</b> (7/7) <b>F2014DT</b> 5060523524440	<b>20</b> (10/10) <b>F2020MDT</b> 5060523524341	<b>30</b> (15/15) <b>F2030MDT</b> 5060523524358
NUMBER OF USABLE WAYS			
SPLIT			
PART NUMBER			
GTIN-13			
MAIN SWITCH RATING (AC22A)	100A	100A	100A
DIMENSION DRAWING	18P	28P	36P
WEIGHT (1PC) Kg	5.1	7.9	8.1
DIMENSIONS (HxWxD)mm	259x378X113	512x306X113	512x378x113
DOUBLE BANK	N	Y	Y
TAIL CLAMP COMPATIBLE (ACCF)	N	Y	Y
INNER CARTON QUANTITY	1	1	1
OUTER CARTON QUANTITY	4	2	2
STANDARD	EN 61439-3		
RATED VOLTAGE (Un/AC)	230V		
FREQUENCY (Hz)	50/60		
PROTECTION DEGREE (IP)	2XC		
MAXIMUM TERMINAL BAR CAPACITY	16mm <sup>2</sup>		
TERMINAL BAR TIGHTENING TORQUE (Nm)	2.0		
DEVICE MOUNTING	35mm DIN RAIL		
MATERIAL	1mm ELECTRO GALVANISED STEEL (ZINC)		
FINISH	RAL 9001 POWDER COATED SMOOTH FINISH		
KNOCKOUTS	SELECTION 20mm - 40mm		
ACCESSORY PACK	CIRCUIT IDENTIFICATION LABELS / GROMMET STRIP		
ORIGIN OF MANUFACTURE	CHINA		



DIMENSIONS

18P



DIMENSIONS

28P

36P

