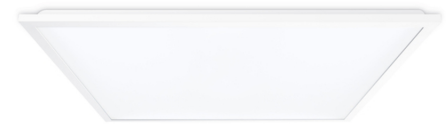


JC080046

## Skytile Base

Skytile Base TP(b) 600x600mm 30W IP20 4000K 3150lm White frame



### Features & Benefits

- 4 wire suspension kit and surface mount box available
- 105 lumens per circuit Watt
- 4000K and 5000K colour temperature options
- IP20 protection
- Remote Plug and Play Emergency Pack - JCEM001 or JCEM001ST



CRI:RA



BEAM



CLASS II



WARRANTY



RATING

### General Information

Product Group	LED - Recessed
Product Range	Skytile
Trade Name	Skytile Base
Light Source	LED
Light Source Features	Neutral White
Product Shape	Square
Additional Information	Do not cover with insulation
Mounting	Recessed
Product Weight	1.8kg
Color Finish	White
Overall Dimensions	595 x 595 x 32 mm
Recommended Product Location	indoor use only
Minimum Void Requirement	150mm
Method Of Fix	for use with T grid suspended ceilings
Product Aperture Size	600 x 600mm
IP Rating	IP20
Environment	Indoor
Suitable For Zones	Outside zone 2
Luminaire Accessories	Surface mount tray(JC71262) Suspension kit(JC080050)
Distance From Lighted Object	0.3 metre

Origin of manufacturer	<b>Made in China</b>
Warranty	<b>2 years standard warranty extends to 5 years when registered within the first year of purchase (See Website for terms and conditions)</b>
Driver Manufacturer	<b>Lifud</b>
LED Manufacturer/Type	<b>Runlite 2835</b>
Lighting Product Type 1	<b>Troffer</b>

## Electrical

Voltage Rating	<b>220-240</b>
Secondary Running Current	<b>700mA</b>
Primary Running Current	<b>300mA</b>
Inrush current(Amps)	<b>&lt; 30</b>
Operating Frequency Hz	<b>50/60Hz</b>
CC or CV	<b>Constant Current</b>
Luminaire Circuit Wattage	<b>30W</b>
Class	<b>Class II</b>
Output Voltage (V)	<b>25-42VDC</b>
Total Harmonic Distortion (THD)%	<b>0.2</b>
EMC Compliant (EN55015)	<b>Yes</b>
Power Factor Correction	<b>0.95</b>
Input Electrical Connections	<b>Live &amp; Neutral</b>
Dimmable	<b>No</b>

## Thermals

Room Ambient Temperature	<b>26°C</b>
Max Luminaire Ambient Temp.	<b>25°C</b>
Max Driver/Ballast Ambient Temp.	<b>from -30 to 50°C</b>
Insulation Coverage	<b>Do not cover</b>
Minimum Void Requirement	<b>150mm</b>

## Performance Data

LED Life (Hours)	<b>54000</b>
------------------	--------------

Hours life stated is an indication of expected L70 chip and light output calculations when operating in optimum conditions. Product warranty period supports the full product during the term given. The L70 hours expectancy is not correlated with the full product warranty term, nor is it a representation of lumen depreciation during the warranty period.

Energy Rating	<b>This product contains a light source of energy efficiency class F</b>
Actual Lumen Output	<b>3150</b>
Lumens Per Circuit Watt	<b>105</b>
Standard Deviation Colour Matching - SDCM	<b>&lt; 6</b>
Color Rendering Index	<b>80-89</b>
CRI: Ra	<b>83</b>

Correlated Color Temperature	<b>4000K</b>
Light Distribution Detail	<b>113-degree</b>
LOR (Light Output Ratio) %	<b>100</b>
Photometry Available	<b>Yes, available on request</b>

## Controls and Sensors

Overload Protection	<b>Yes</b>
---------------------	------------

## Construction

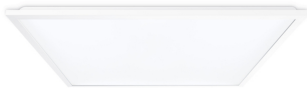
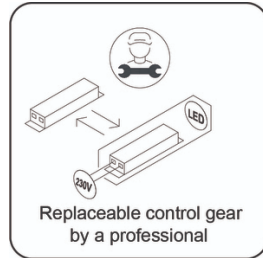
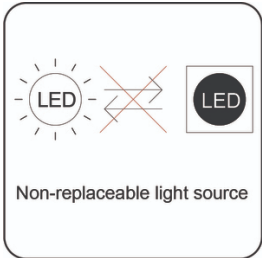
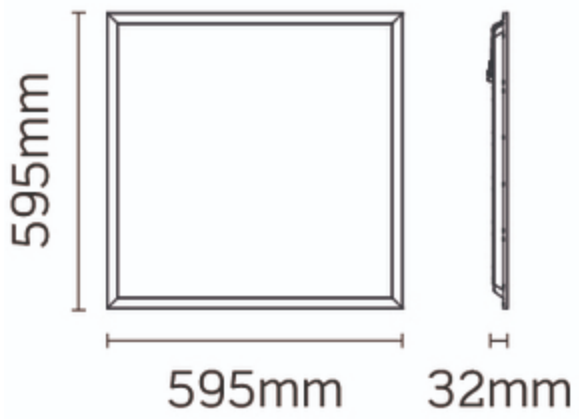
Primary Material	<b>Aluminum</b>
Outer Diffuser	<b>TP(b) polystyrene</b>
Heat Sink	<b>Steel</b>

## Packaging

Quantity Per Outer Carton	<b>5</b>
Outer carton(L)- cm	<b>66</b>
Outer carton(W)- cm	<b>29</b>
Outer carton(H)- cm	<b>67.5</b>
Outer carton overall dimensions	<b>66 x 29 x 67.5cm</b>
Outer carton Net weight- kg	<b>9kg</b>
Outer carton Gross weight- kg	<b>12.35kg</b>
Product Bar Code EAN-13 Number	<b>5052544102882</b>
Outer carton Bar Code ITF-14 Number	<b>15052544102889</b>

## Standards & Approvals

Manufactured In Accordance To	<b>BS EN 60598 -2-1, 2-2</b>
CE Marked	<b>Yes</b>
UKCA Marked	<b>Yes</b>
Date code/Purchase order No.	<b>Yes</b>
WEEE Symbol	<b>Yes</b>
Certificate Of Conformity	<b>Available on request</b>
Accredited Members	<b>LIA, ISO9001:2015, ISO14001:2015</b>



---

JCC Lighting LTD Innovation Centre, Beeding Close, Southern Cross Trading Estate, Bognor Regis, West Sussex PO22 9TS  
Sales: 01243 838999 (8am to 5pm Monday to Friday) Fax: 01243 838998 | [sales@jcc.co.uk](mailto:sales@jcc.co.uk) | [www.jcc.co.uk](http://www.jcc.co.uk)  
Company Registration Number: 03044848 | VAT Number: 918544112

This document is uncontrolled if printed, all information is subject to change

Version 86 [06 Jul 2021]