

JC040045

Toughbay 200W 120° 5700K IP65

Features & Benefits

- Ultra efficient, 120 Lumens per circuit Watt
- High CRI of 80, ensuring a true representation of colour throughout its life
- Emergency versions available
- 120° beam as standard
- IK10

General Information

Product Group	Toughbay™
Product Range	Highbay Lowbay
Trade Name	Toughbay™
Light Source	LED
Light Source Features	Crisp White
Lighting Product Type	Bay Light
Lighting Product Type	Ceiling Mount
Product Shape	Round
Mounting	Suspended
Product Weight	3.05kg
Color Finish	Black
Overall Dimensions	239Ø x 171mm

JCC Lighting

Innovation Centre, Beeding Close, Southern Cross
Trading Estate, Bognor Regis, West Sussex, PO22 9TS
Company Registration Number: 03044848 | VAT Number: 918544112

T: 01243 838999 | F: 01243 838998 | sales@jcc.co.uk | www.jcc.co.uk

Recommended Product Location	Industrial applications, warehouse, retail and mezzanine
Method Of Fix	Suspension eye
IP Rating	IP65
Environment	Demanding
Suitable For Zones	Zone 1
Origin Of Manufacture	Made in China
Warranty	2 years standard warranty extends to 5 years when registered within the first year of purchase (See Website for terms and conditions)
Mounting Height	7m for 150-200 lux: Please note this is to be used as a rough guide and does not replace the need for a lighting design
Driver Manufacturer	Zhihe
LED Manufacturer/Type	Refond 3030

Electrical

Voltage Rating	100-240
Secondary Running Current	1.1-2Amp
Primary Running Current	2.8Amp max
Operating Frequency (Hz)	50/60Hz
CC or CV	CC
Luminaire Circuit Wattage	200W
Class	Class 1, must be earthed
Output Voltage (V)	90-150VDC
Total Harmonic Distortion (THD)%	<20%
EMC Compliant (EN55015)	yes
Power Factor Correction	0.95 @ 230V~
Input Electrical Connections	live(brown) neutral(blue) earth(yellow/green)
Dimmable	No

Thermals

Room Ambient Temperature	45°C
Max Luminaire Ambient Temp.	45°C
Max Driver/Ballast Ambient Temp.	from -40°C to 60°C
Thermal Cut Out	Yes, auto reset

Performance Data

Energy Rating	A+
Actual Lumen Output	24000
Lumens Per Circuit Watt	120 LpcW
LED Life (Hours) (L70)	54000

JCC Lighting

Innovation Centre, Beeding Close, Southern Cross
Trading Estate, Bognor Regis, West Sussex, PO22 9TS
Company Registration Number: 03044848 | VAT Number: 918544112

T: 01243 838999 | F: 01243 838998 | sales@jcc.co.uk | www.jcc.co.uk

Hours life stated is an indication of expected L70 chip and light output calculations when operating in optimum conditions. Product warranty period supports the full product during the term given. The L70 hours expectancy is not correlated with the full product warranty term, nor is it a representation of lumen depreciation during the warranty period.

Color Rendering Index	80-89
CRI: Ra	80
Correlated Color Temperature	5700K
Light Distribution Detail	120-degree
LOR (Light Output Ratio) %	100%
Photometry Available	Yes

Construction

Primary Material	Aluminium
Lens	Polycarbonate
Heat Sink	Aluminium
Driver Housing	Aluminium

Packaging

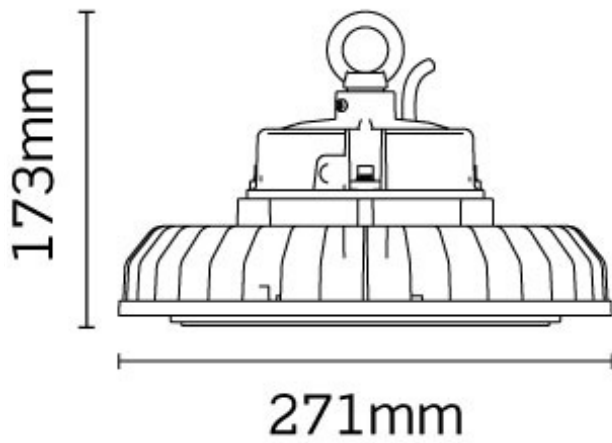
Quantity Per Outer Carton	4
Bar Code EAN Number	5052544093470

Standards & Approvals

Listings	Damp Location
Listings	RoHS
Listings	Wet Location
Manufactured In Accordance To	BS 60598-1-2-22 -2015
CE Marked	Yes
WEEE Symbol	Yes
Certificate Of Conformity	Available on request
Accredited Members	LIA, ISO9001-2015, ISO14001-2015

JCC Lighting

Innovation Centre, Beeding Close, Southern Cross
Trading Estate, Bognor Regis, West Sussex, PO22 9TS
Company Registration Number: 03044848 | VAT Number: 918544112
T: 01243 838999 | F: 01243 838998 | sales@jcc.co.uk | www.jcc.co.uk



JCC Lighting

Innovation Centre, Beeding Close, Southern Cross
Trading Estate, Bognor Regis, West Sussex, PO22 9TS
Company Registration Number: 03044848 | VAT Number: 918544112
T: 01243 838999 | F: 01243 838998 | sales@jcc.co.uk | www.jcc.co.uk