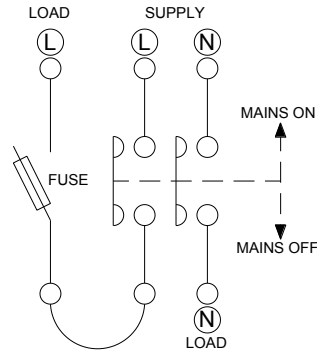


Technical

Rated Current Ie:	100A
Rated Operating Voltage (Ue):	230V 50Hz
No. of Poles:	1P+N
Utilization category:	AC21 switching of resistive loads including moderate overloads
IP rating:	IP20 to BS EN60529
Conforms to:	BS EN 61439-3
Fuse size:	22 x 58mm / IEC 60269-2
Fuses supplied:	63, 80, 100A
Fuse type:	gG General purpose for conductor protection
Max. cable size:	35mm²
Enclosure Material:	Mild steel
Finish:	RAL9003 Epoxy powder coat
Dimensions (mm):	250H x 135W x 89D
Knockouts:	25+32mm top and bottom
Tightening torque:	Main switch terminals: 2.5Nm
	Fuse holder: 3.0Nm

Wiring Diagram



This unit must be installed by a qualified electrician in accordance with the latest edition of the IEE Wiring Regulations for Electrical Installations (BS 7671).

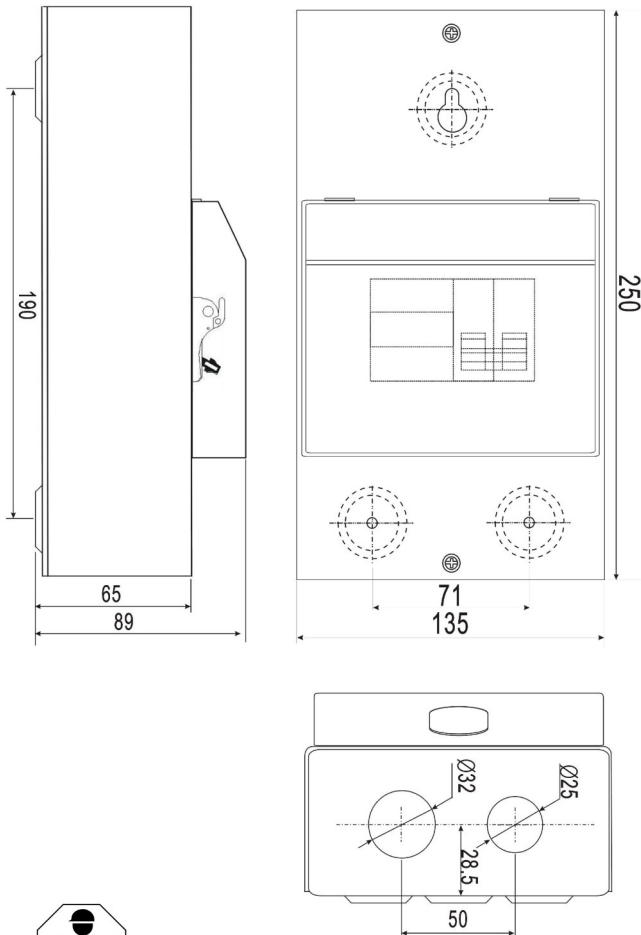
1 Installation Guide

- 1.1 Loosen the two cover screws and remove the front cover
- 1.2 Fix FS6380100 securely to wall with 3 screws
- 1.3 Ensure main switch is in the OFF position
- 1.4 Cut and dress MAINS feed cables to top terminals on main switch (L + N) .
- 1.5 Connect LOAD cable to top terminal of fuse holder
- 1.6 Check all connections are torqued to the correct settings
- 1.7 Ensure the 'Earth Link Connection' is attached and secure, between the earth studs on the back box and cover of the enclosure, before fitting the front cover.
- 1.8 Refit front cover
- 1.9 Select and fit correct fuse into the fuse holder for the installation

2 Testing of the Installation

- 2.1 Following completion of the installation, it is essential that it is tested in accordance with the latest edition of the IEE Wiring Regulations for Electrical Installations (BS 7671).

TURN OFF THE MAIN SWITCH BEFORE OPENING THE FUSE HOLDER



USER GUIDE MUST BE LEFT WITH THE UNIT FOR FUTURE REFERENCE