



**Palazzoli**  
GROUP



Now **included**  
in the range:

Compact RCBOs  
Electricity Isolators  
and more!



# PRO CONSUMER UNITS & CIRCUIT PROTECTION

A comprehensive Consumer Unit & Circuit  
Protection range for residential installations

# PRO

## AN ATTRACTIVE RANGE OF EASY-TO-INSTALL CONSUMER UNITS

The latest enhancement to the Lewden range. PRO offers a stylish, ergonomic, and non-obtrusive consumer unit design, paired with a comprehensive range of circuit protection devices and accessories to meet the needs of every installation.



Front cover earth bond



Surge Protection Device

40A MCB for Surge Protection Device

Multi-Function DIN Rail Blank



Circular knockouts for mains tails glands

Cable grommets for square knockouts

Compact Type A RCBOs with Switched Neutral

Mains tails clamp

### Stylish design

- The wrap around front cover provides a clean and un-obtrusive finish.
- With extra wide 180° opening, it offers superior visibility of circuit protection devices, even when the consumer unit is mounted low down, and provides the perfect position to affix installation labelling.

### Solid Construction

- Non-combustible steel enclosure finished in RAL9003 Signal white semi-gloss.
- Retained cover screws to prevent loss.
- Rectangular knockouts on top and bottom faces to match popular mini trunking sizes.
- Circular knockouts on four sides provide flexibility for meter tails entry position.

### Enclosure height

- Extra enclosure height provides generous wiring space for outgoing cabling during installation, as well as for future additions.

### Devices

- A full and complete range of circuit protection devices including compact RCBOs with switched neutral, cater for all design arrangements.
- Type 2 surge protection can also easily be incorporated in any installation.

### Accessories

- Blind cable grommets for use in rectangular knockouts prevent cable chaffing and maintain IP4X ingress protection.
- An optional meter tails clamp provides additional strain relief to meter tails.
- A cover key lock option is also available on request, for installations requiring restricted access to the operation of devices in service.
- Full din rail mounting blanks offer a high level of protection against access to live parts, and cannot be removed whilst the front cover is fitted.

STYLISH • COMPACT • FLEXIBLE

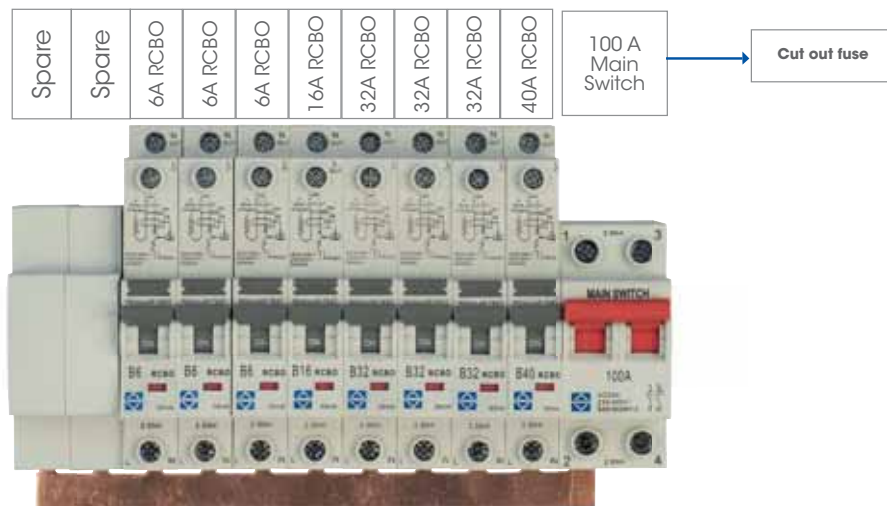
# PRO RCBO Based Solution

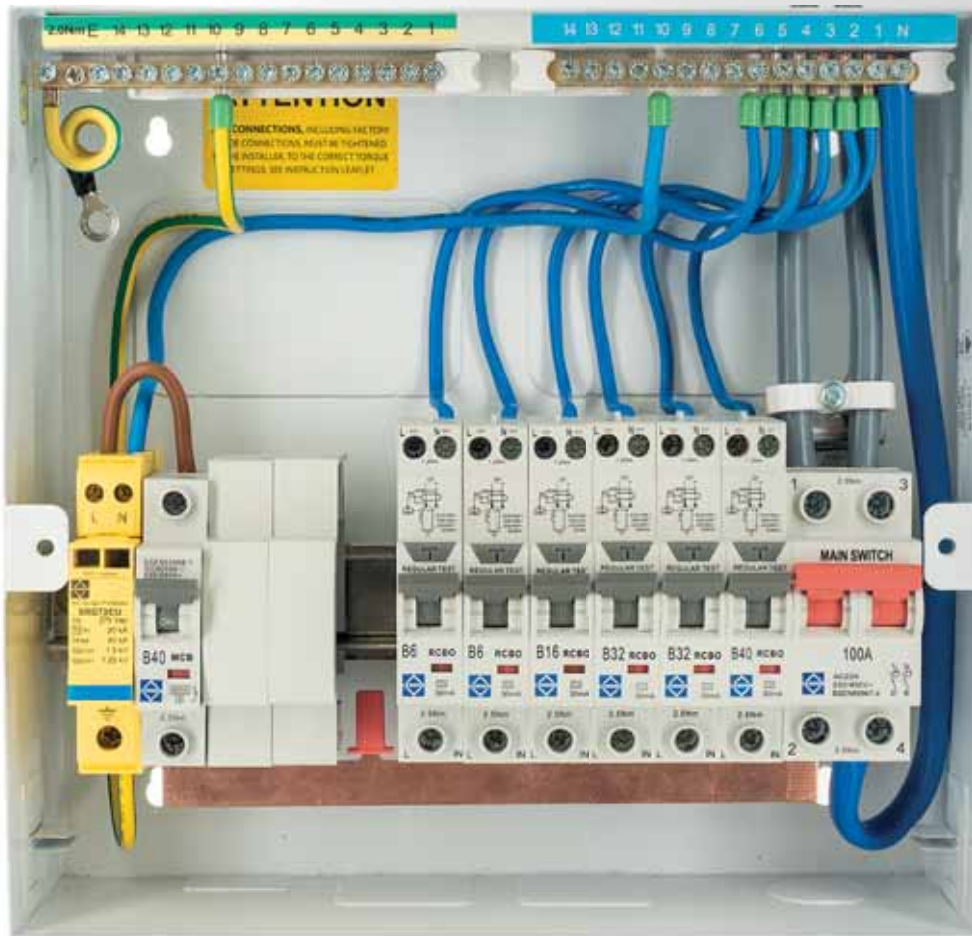
RCBO Based solutions represent the best approach in providing maximum flexibility, division and control over final circuits, totally fulfilling the requirements of the wiring regulations

Consumer Unit Type	Minimized inconvenience	Diversity Factor Free	Upstream Cut Out Fuse Compatibility		
			63A	80A	100A
RCBO Board	✓	✓	✓	✓	✓
63A Incomer RCCB Board	✗	✗	✓	✗	✗
80A Incomer RCCB Board	✗	✗	✓	✓	✗
100A Incomer RCCB Board	✗	✗	✓	✓	✓

**BEST  
APPROACH**

Utilising a consumer unit comprising a 100A rated main switch, and individual RCBOs on the outgoing circuits is considered the best approach to provide residual current and overload fault protection to each outgoing circuit as required by BS7671. Consideration to spare ways and future additions are automatically compensated for. Furthermore, by distributing load equipment across a greater number of individual RCBO circuits, this greatly assists in reducing the possibility of nuisance tripping, eliminating inconvenience caused by loss of supply to multiple circuits in the event of a residual current fault. With this method, the main switch and distribution bus bar are each rated to 100A, this being the maximum permissible cut out fuse rating installed by the supply authority to domestic properties.





- 1 RCBO Consumer Units**  
 Incorporating a 100A DP Main Switch and busbar system ensures compatibility with DNO fuse ratings up to 100A. (BS7671 536.4 Overcurrent protection of RCCB's and Main Switches by upstream OCPD's)
- 2 Type A RCBOs as standard**  
 Designed for use with load equipment that features electronic components (BS7671 531.3.3 Types of RCD)
- 3 Sub-division of circuits**  
 RCBOs minimize inconvenience in the event of a fault and limit the risk of unwanted tripping by separating final circuits (BS7671 531.3.2 Unwanted tripping)
- 4 Using Individual RCBOs**  
 Provides for optimum division of final circuits and minimizes inconvenience in the event of a fault (BS7671 314.1 (i) & (ii) Division of Installation)
- 5 Increased wiring space**  
 Compact RCBOs maximise wiring room, making the installation quicker and neater, providing for a safer installation. (BS7671 132.12 Accessibility of electrical equipment)
- 6 Ease of testing**  
 Compact RCBOs with double pole switching incorporate side by side output terminals for ease of testing and periodic inspection.
- 7 Faster to commission**  
 Neutral pole switched RCBOs negate the need to disconnect the neutral lead during insulation resistance testing, speeding up the commissioning process.
- 8 Double pole isolation**  
 Compact RCBOs incorporating a switched Neutral provide for safe isolation of individual circuits and provides double pole isolation required in TT systems and EV charging circuits. (BS7671 537 - Isolation and switching)

# PRO RCBO Based Solution

**BEST**  
APPROACH

A comprehensive consumer unit range comprising a 100A DP main switch with overload and residual current protection provided on each individual final circuit by RCBOs

Distributing final circuits across individual RCBOs provides the best approach to fully meeting the requirements of BS7671

- Supplied with 100A rated Mains Switch and distribution bus bar
- Overcurrent and 30mA earth leakage fault protection combined in one device
- Class A residual current protection as standard
- 6kA Short circuit breaking capacity. Energy limiting class 3.
- B or C curve overcurrent trip options
- Fully interchangeable switched and un-switched neutral pole RCBO options
- Ratings from 6A to 50A



## RCBO Consumer units

- Configured with 100A DP Main Switch
- +1 Extra module included for the installation of a surge protection device\*
- Arranged with 1 x Neutral & 1 x Earth bar

Part Number	Useable Ways	Enclosure Size (Modules)	Dimensional Drawings
PRO-MX04M	2 Ways +1 *	5	PRO1
PRO-MX08M	6 Ways +1 *	9	PRO2
PRO-MX10M	8 Ways +1 *	11	PRO3
PRO-MX12M	10 Ways +1 *	13	PRO4
PRO-MX16M	14 Ways +1 *	17	PRO5
PRO-MX21M	19 Ways +1 *	22	PRO6

- \*+1 module dedicated to SPD and is not a useable way
- For accessory items please refer to page 15 & 16
- For dimensional drawings please refer to page 20



## Compact RCBOs 30mA Switched Neutral



- Double pole switching for complete isolation in the event of a fault
- A switched neutral pole significantly reduces the installation and commissioning test time
- Compact 96mm height increases the available wiring space within the consumer unit
- Suitable for TN & TT earthing systems
- Particularly suited to installations where double pole isolation of individual circuits may be required; e.g. Distribution circuits on TT earthing systems, Electric vehicle charging circuits etc.

Rated Current	Class A	
	B Trip Curve	C Trip Curve
6	RCBO-B06/30/1PNA	RCBO-C06/30/1PNA
10	RCBO-B10/30/1PNA	RCBO-C10/30/1PNA
16	RCBO-B16/30/1PNA	RCBO-C16/30/1PNA
20	RCBO-B20/30/1PNA	RCBO-C20/30/1PNA
32	RCBO-B32/30/1PNA	RCBO-C32/30/1PNA
40	RCBO-B40/30/1PNA	RCBO-C40/30/1PNA



## RCBOs 30mA Un-Switched Neutral



- Single Pole switching
- Device height 113mm
- Suitable for TN Earthing systems
- Single pole RCBOs are suitable for use in TT network systems when used in conjunction with a DP main switch as the point of safe isolation

Rated Current	Class A	
	B Trip Curve	C Trip Curve
6	RCBO-06/30/SPA	RCBO-06/30/1M/CA
10	RCBO-10/30/SPA	RCBO-10/30/1M/CA
16	RCBO-16/30/SPA	RCBO-16/30/1M/CA
20	RCBO-20/30/SPA	RCBO-20/30/1M/CA
32	RCBO-32/30/SPA	RCBO-32/30/1M/CA
40	RCBO-40/30/SPA	RCBO-40/30/1M/CA
50	RCBO-50/30/SPA	RCBO-50/30/1M/CA



## Surge Protection Kit

- Kit comprises Type 2 SPD, 40A B curve MCB & 6mm<sup>2</sup> connection cables
- Suitable for use in TN-C-S (PME) / TN-S / and TT networks
- Note: The MCB occupies one of the Consumer Units useable ways and the SPD occupies the +1 way

Part Number	Description
SRG1VCU-KIT	SRGT2CU + 40A MCB + Cable set for Lewden Consumer Units

• For technical information refer to Surge Protection Devices page 17

# PRO Dual RCCB Based Solution

Dual RCCB solutions offer a range of High Integrity Consumer Units, providing individual circuits arranged across two RCCBs, with the additional capability to provide Residual current protection to designated circuits via RCBOs connected directly to the Main Switch.

## APPROACH A

**A dual RCCB consumer unit, with overload protection provided by the upstream supply authority cut out fuse.**

When installing a dual RCCB consumer unit, the main switch, the RCCBs and the interconnecting wiring are all protected against overload by the supply authority cut-out fuse. If using this method, ensure that the individual rated current of each of the RCCBs and the main switch is not less than the rating of the cut out fuse. For a domestic installation, the cut out fuse may have a 63A, 80A, or 100A rating, depending on factors such as the age & size of the property, and also the relevant supply authority's standard installation procedure. As with the RCBO Based Solution, this method automatically caters future use of spare ways. Lewden RCCBs are available in 63A, 80A and 100A Type A.

## APPROACH B

**A dual RCCB consumer unit, with overload protection provided by sum of the rated current of the downstream distribution MCBs.**

If using this method, ensure that the total sum of the rated current of all outgoing MCBs connected to the load side of an RCCB or switch does not exceed the rated current of that RCCB or switch.

Using this method means that consideration must be given to the consequences of any future use of spare ways.

## Overload Protection of RCCB by Sum of Rated Current of Downstream Devices

Examples:

Example	RCCB	Sum of Rated Current	RCCB Rating	Result
Example 1 80A RCCBs	RCCB 1	76A	< 80A	✓
	RCCB 2	54A	< 80A	✓
Example 2 63A RCCBs	RCCB 1	76A	> 63A	✗
	RCCB 2	54A	< 63A	✓

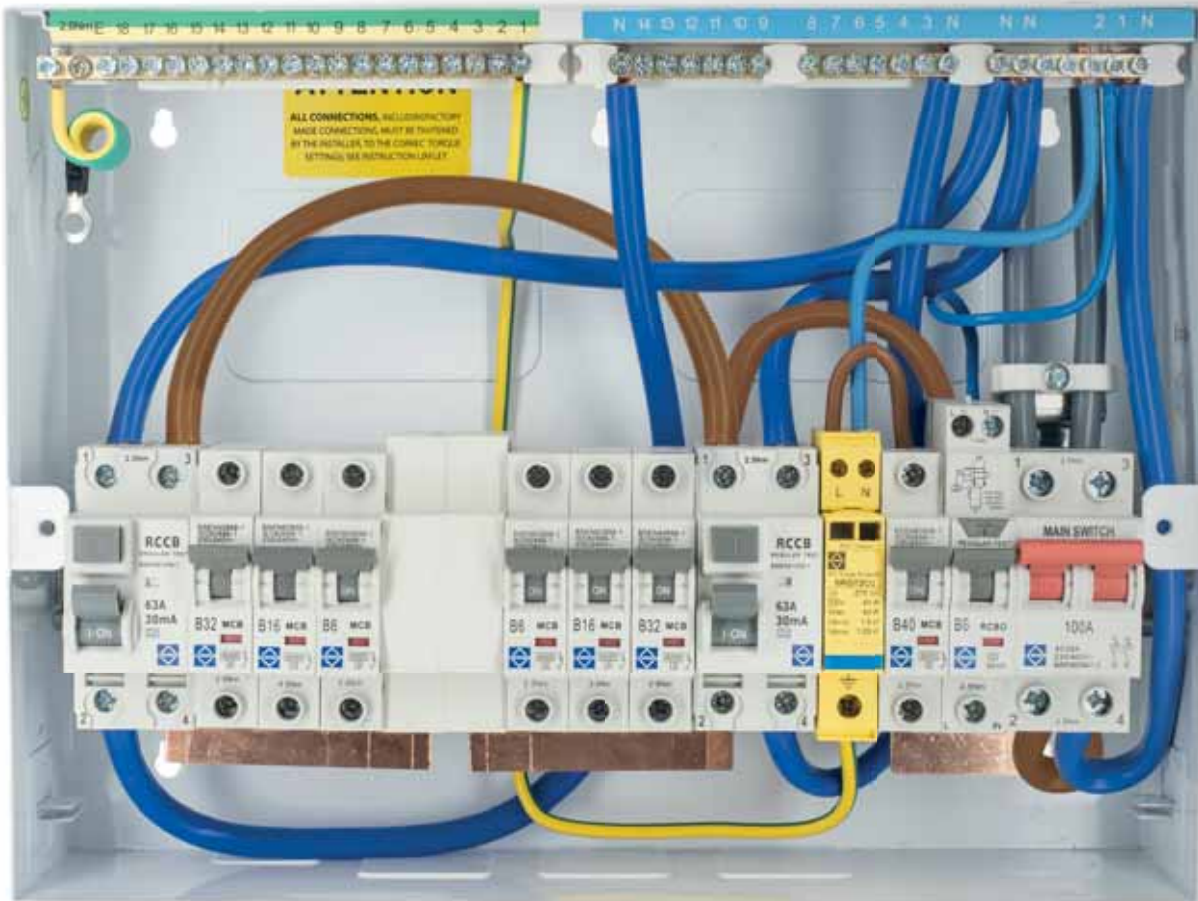
  

Example	RCCB	Sum of Rated Current	RCCB Rating	Result
Example 1 80A RCCBs	RCCB 2	54A	80A	Sum of Rated Current = 54A
	RCCB 1	76A	80A	Sum of Rated Current = 76A

Example	RCCB	Sum of Rated Current	RCCB Rating	Result
Example 2 63A RCCBs	RCCB 2	54A	63A	Sum of Rated Current = 54A
	RCCB 1	76A	63A	Sum of Rated Current = 76A





- 1 Choice of RCCB ratings**

Lewden offer a selection of RCCBs rated at 63A, 80A and 100A for coordination with the upstream OCPD (BS7671 536.4.3.2 / 536.4.5 / 536.4.202).
- 2 Type A RCCBs as standard**

Designed for use with load equipment that features electronic components (BS7671 531.3.3 Types of RCD).
- 3 Division of final circuits**

Multiple Neutral Busbars with ample number of terminations allow for maximum flexibility when dividing MCBs across the two RCCB protected groups, and when incorporating high integrity circuits.
- 4 Sub-division of circuits**

The "Flexi-Cut" Bus bar provides total flexibility in division of distribution MCBs across the two RCCBs, and can be easily adjusted to meet any high integrity configuration. (BS7671 314.1 Division of installation).
- 5 High integrity option**

The Dual RCCBs Consumer unit is designed to allocate up to two useable ways for the installation of MCBs/RCBOs, connected directly to the Main Switch via the busbar provided. This offers total separation from the circuits divided across the two RCCBs and is ideal for Security or Fire Alarm equipment, or the incorporation of type 2 surge protection. (BS7671 531.3.2 Unwanted tripping).
- 6 Ease of assembly**

Highly flexible internal cabling allows for RCCBs to be positioned easily to cater for the inclusion of high integrity distribution circuits, including the installation of surge protection.

# PRO Dual RCCB Based Solution

A comprehensive consumer unit range comprising a 100A DP main switch and MCBs arranged in two groups, with each group protected by a dedicated RCCB.

- Supplied with 'Flexi Cut' bus bar for easy management of outgoing MCBs assigned to each RCCB group.
- A high integrity bus bar allows for two additional outgoing MCB / RCBO circuits to be installed independently of the two RCCB protected groups
- Arranged with 3 x Neutral & 1 x Earth bar



## Populated Dual RCCB Consumer Units

- Configured with 100A DP Main Switch, 2x 80A 30mA RCCBs, and 6x MCBs
- 1 Extra module included for the installation of surge protection\*
- 4 spare ways

Part Number	Useable Ways	Enclosure Total Modules	RCCB 80A 30mA Class A	MCBs B Trip Curve			Dimensional Drawings
				6A	16A	32A	
PRO-PM10	10 Ways +1*	17	2	2	1	3	PRO5



## Semi-Populated Dual RCCB Consumer Units

- Configured with 100A DP Main Switch, 2x 80A 30mA Class A RCCBs
- Includes interconnecting cables
- +1 Extra module included for the installation of surge protection\*

Part Number	Useable Ways	Enclosure Size (Modules)	RCCB 80A 30mA Class A	Dimensional Drawings
PRO-MX12RRMFLEXIA	6 Ways +1*	13	2	PRO4
PRO-MX16RRMFLEXIA	10 Ways +1*	17	2	PRO5
PRO-MX21RRMFLEXIA	15 Ways +1*	22	2	PRO6



## Unpopulated Dual RCCB Consumer Units

- Configured with 100A DP Main Switch and interconnecting cables for 2 RCCBs. (RCCBs not included)
- Select appropriately rated RCCBs for the installation (63A, 80A, or 100A)
- +1 Extra module included for the installation of surge protection\*

Part Number	Useable Ways	Enclosure Size (Modules)	Main Switch	RCCB Positions	Dimensional Drawings
PRO-MX12XXM	6 Ways +1*	13	1	2	PRO4
PRO-MX16XXM	10 Ways +1*	17	1	2	PRO5
PRO-MX21XXM	15 Ways +1*	22	1	2	PRO6

- \*+1 module dedicated to SPD and is not a useable way
- For accessory items please refer to page 15 & 16
- For dimensional drawings please refer to page 20



## RCCB Class A

- Suitable for use on pure AC and where pulsating DC exists up to 6mA
- Type A devices are also suitable for AC applications
- 6kA Short circuit withstand



Part Number	Rated Current	Tripping Threshold	Total Modules
63/30/2A	63A	30mA	2
80/30/2A	80A	30mA	2
100/30/2A	100A	30mA	2
100/100/2SA*	100A Selective (S type)	100mA Time delayed	2

\*Where a metal consumer unit is installed in a TT system, the main switch should be replaced by a 100A 100mA S type (time delayed) RCCB



## Miniature Circuit Breakers Single Pole

- 6kA Short circuit breaking capacity.
- B or C curve overcurrent trip options
- Fully interchangeable with switched and unswitched neutral RCBO options
- Ratings from 6A to 50A

Rated Current	B Trip Curve	C Trip Curve
6	G06-1B06	G06-1C06
10	G06-1B10	G06-1C10
16	G06-1B16	G06-1C16
20	G06-1B20	G06-1C20
32	G06-1B32	G06-1C32
40	G06-1B40	G06-1C40
50	G06-1B50	G06-1C50



## Surge Protection Kit

- Kit comprises Type 2 SPD, 40A B curve MCB & 6mm<sup>2</sup> connection cables
- Suitable for use in TN-C-S (PME) / TN-S / and TT networks
- Note: The MCB occupies one of the Consumer Units useable ways and the SPD occupies the +1 way

Part Number	Description
SRG1VCU-KIT	SRGT2CU + 40A MCB + Cable set for Lewden Consumer Units

- For technical information refer to Surge Protection Devices page 17
- Refer to page 13 for RCBOs: required for high integrity installations

# PRO Consumer Units



## RCCB Incomer Consumer Units

- Configured with 30mA RCCB incomer
- 1 Extra module included for the installation of surge protection\*
- Arranged with 1 x Neutral & 1 x Earth bar

Part Number	Useable Ways	Enclosure Size (Modules)	RCCB 30mA Class A	Dimensional Drawings
PRO-MX04R	2 Ways +1*	5	63A	PRO1
PRO-MX08R	6 Ways +1*	9	63A	PRO2
PRO-MX10R	8 Ways +1*	11	80A	PRO3
PRO-MX12R	10 Ways +1*	13	80A	PRO4



## Dual Tariff Consumer Units

- Configured with 2x 100A Main Switches and 2 distribution bus bars
- 2x Neutral bars & 1 x Earth bar
- Compatible with 6kA single pole MCBs and Switched or un-switched neutral RCBOs

Part Number	Useable Ways	Enclosure Size (Modules)	Main Switch	Dimensional Drawings
PRO-MX17DT	13 Ways	17	2	PRO5
PRO-MX22DT	18 Ways	22	2	PRO6



## Garage Consumer Units

- Sub distribution consumer unit range comprising Main switch or RCCB incomer
- Complete with two MCBs

Part Number	Enclosure Size (Modules)	100A DP Main Switch	RCCB 63A 30mA Class A	MCBs B Trip Curve		Dimensional Drawings
				6A	16A	
PRO-MCGARAGE-MS	5	1	-	1	1	PRO1
PRO-MCGARAGE-63	5	-	1	1	1	PRO1

- \*+1 module dedicated to SPD and is not a useable way
- For accessory items please refer to page 15 & 16
- For dimensional drawings please refer to page 20



## Miniature Circuit Breakers Single Pole

- 6kA Short circuit breaking capacity.
- B or C curve overcurrent trip options
- Ratings from 6A to 50A
- Fully interchangeable with switched and unswitched neutral RCBO options

Rated Current	B Trip Curve	C Trip Curve
6	G06-1B06	G06-1C06
10	G06-1B10	G06-1C10
16	G06-1B16	G06-1C16
20	G06-1B20	G06-1C20
32	G06-1B32	G06-1C32
40	G06-1B40	G06-1C40
50	G06-1B50	G06-1C50



## Single Module RCBOs

- 30mA Class A
- Switched or Un-Switched neutral pole options available (Fully interchangeable)
- Ratings from 6A to 50A



Rated Current	Compact With Switched Neutral		Single Pole With Un-switched Neutral	
	B Trip Curve	C Trip Curve	B Trip Curve	C Trip Curve
6	RCBO-B06/30/1PNA	RCBO-C06/30/1PNA	RCBO-06/30/SPA	RCBO-06/30/1M/CA
10	RCBO-B10/30/1PNA	RCBO-C10/30/1PNA	RCBO-10/30/SPA	RCBO-10/30/1M/CA
16	RCBO-B16/30/1PNA	RCBO-C16/30/1PNA	RCBO-16/30/SPA	RCBO-16/30/1M/CA
20	RCBO-B20/30/1PNA	RCBO-C20/30/1PNA	RCBO-20/30/SPA	RCBO-20/30/1M/CA
32	RCBO-B32/30/1PNA	RCBO-C32/30/1PNA	RCBO-32/30/SPA	RCBO-32/30/1M/CA
40	RCBO-B40/30/1PNA	RCBO-C40/30/1PNA	RCBO-40/30/SPA	RCBO-40/30/1M/CA
50	-	-	RCBO-50/30/SPA	RCBO-50/30/1M/CA



## Surge Protection Kit

- Kit comprises Type 2 SPD, 40A B curve MCB & 6mm<sup>2</sup> connection cables
- Suitable for use in TN-C-S (PME) / TN-S / and TT networks
- Note: The MCB occupies one of the Consumer Units useable ways and the SPD occupies the +1 way

Part Number	Description
SRG1VCU-KIT	SRGT2CU + 40A MCB + Cable set for Lewden Consumer Units

• For technical information refer to Surge Protection Devices page 17

# Consumer Units



## PRO Empty Modular Enclosures

- Supplied complete with single phase distribution busbar and neutral cable to allow for distribution set up via a DP main switch (GMS1002P main switch not included)
- 1 Neutral and 1 Earth bar

Part Number	Enclosure Size (Modules)	Dimensional Drawings
PRO-MC05ENC	5	PRO1
PRO-MC09ENC	9	PRO2
PRO-MC11ENC	11	PRO3
PRO-MC13ENC	13	PRO4
PRO-MC17ENC	17	PRO5
PRO-MC22ENC	22	PRO6



## Dual Row Modular Enclosure

- 2 rows of 16 modules (Neutral & earth bar above each row)
- Supplied with busbars and interconnecting cables to accommodate main switch & up to 30 RCBOs
- Detachable un-drilled gland plates top & bottom

Part Number	Enclosure Size (Modules)	Dimensional Drawings
OFS-MC32ENC	32	QFS 1



## QFS Consumer Unit With Circular Knockouts

- Configured with 100A DP mains switch
- One extra module included for the installation of a surge protection device\*
- Available with 20, 25 & 32mm knockouts (See page 21 for configuration)

Part Number	Useable Ways	Enclosure Size (Modules)	100A DP Main Switch	Dimensional Drawings
QFS-MX22MG	19+1*	22	1	QFS 2

- \*+1 module dedicated to SPD and is not a useable way
- For accessory items please refer to page 15 & 16
- For dimensional drawings please refer to page 20 & 21

# Consumer Units Accessories



## Mains Tail Clamp

Part Number

MTC

1 in each pack



## Small Cable Grommets

Part Number

CUGR-4025

40mm x 25mm (Pack of 10)



## Large Cable Grommets

Part Number

CUGR-5050

50mm x 50mm (Pack of 10)



## Multi-Function DIN rail blank

Part Number

MFDRB

1 in each pack



## Blanking strip

Part Number

CU-BL

2 Blanking strips of 6 ways in  
each pack



## Padlock for MCBs, RCCBs and RCBOs

Part Number

MCBLOCK

3 keys,  
Yellow Hazard Indicator



## Main Switch

- 100A DP 2 module width
- 100A 4 pole 4 module width
- Terminal capacity 50mm<sup>2</sup>

Part Number	Rated Current	Rated Voltage	Switch Configuration	Utilisation Category
GMS1002P	100A	230/400VAC 50/60Hz	Double Pole	AC22A
EMS-1004P	100A	400VAC 50Hz/60Hz	4 Pole	AC22A



## RCCB Class B

- 2 pole, 4 module for 230V applications
- 4 pole, 4 module for 400V applications
- Suitable for use on pure AC, pulsating DC, smooth DC & high frequency 10Hz<1kHz
- Type B devices are also suitable for type AC, A & F applications



Part Number	Rated Current	Number Of Poles	Tripping Threshold	Total Modules
63/30/2B	63A	2P	30mA	4
63/30/4B	63A	4P	30mA	4

# Consumer Units Accessories



## Bell Transformer

- To be used in conjunction with a 6A primary MCB
- User selectable secondary voltages of 4-8-12-16-24 VAC
- Rated output current 1A / 8V

Part Number	Power Rating	Primary voltage	Secondary Voltage Tappings	Insulation Class	Total Modules
BT	8VA	230VAC 50Hz	4-8-12-16-24 VAC	II	2



## Contactors

- 230V AC DIN rail mounting Contactors suitable for residential applications
- 230 AC coil rating
- N/O poles

Part Number	Rated Current	Poles	Module Number
IC20	20A	2	1
IC24/4	24A	4	2
IC40/2	40A	2	2
IC63/4	63A	4	3



## Time Switches

- 230V 50Hz DIN rail mounting time switches
- Voltage free output contact
- 16A (Resistive) Load rating

Part Number	Module Number	Description
DTC	2	7 Day / 1 Channel / 8 on - 8 off timed events
TC1M	1	24hr / 15 min segments
TCS	1	Staircase timer 30 sec to 20 min timed delay off



# Surge Protection Devices



## Single Phase SPDs

- Type 2 single phase surge arrester
- Suitable for use in TN-C-S (PME) / TNS / TT network systems
- SRG1V1G features a volt free signaling changeover contact
- SRGT2CU requires 40A MCB which utilizes one of the consumer unit outgoing ways.

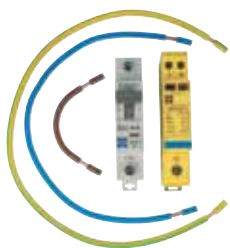
Part Number	Voltage Protection Level (Up)	Nominal Discharge Current (In) (8/20µS)	Max continuous operating voltage (Uc)	Configuration	Response Time	Total Modules
SRG2TCU	<1.5kV	20kA (L/N) (L/PE) 40kA (N/PE)	275 VAC	1+1 (Connection Type CT2)	<20nS	1
SRG1V1G	<1.5kV	20kA (L/N) (L/PE) 40kA (N/PE)	275 VAC	1+1 (Connection Type CT2)	<20nS	2



## Retrofit Surge Protection

- For installations where surge protection cannot be accommodated within the existing consumer unit
- Available in either metal or insulated weatherproof ABS enclosures
- Utilizes SRGT2CU type 2 single phase surge arrester
- Suitable for use in TN-C-S (PME) / TNS / TT network systems

Part Number	Description	Dimensional Drawings
SRG1VCU-RM	IP20, Steel enclosure c/w Main Switch, 40A MCB and SRGT2CU	QFS 3
SRG1VCU-RP	IP55, Plastic Enclosure c/w Main Switch, 40A MCB and SRGT2CU	-



## Surge Protection KIT

- For integrated installation within Lewden consumer units
- Kit comprises; Surge arrester, 40A MCB & 6mm<sup>2</sup> cable set
- Utilizes SRGT2CU Type 2 surge arrester
- Suitable for use in TN-C-S (PME) / TNS / TT network systems

Part Number	Description
SRG1VCU-KIT	SRGT2CU + 40A MCB + Cable set for Lewden Consumer Units

• For dimensional drawings please refer to page 22.

# Sub Distribution



## 100A DP metal fused switch

- Main switch or RCCB incomer options
- Supplied complete with 63A, 80A, and 100A gG fuses IEC60269-2 (BS88-2) Ø22x58mm
- Easily configurable for top or bottom entry of incoming supply cables
- 3 way Earth bar 25mm<sup>2</sup>

Part Number	Rated Current	Rated voltage	Incomer	Dimensional Drawings
FS6380100	100A	230VAC	Main Switch 100A DP	QFS 3
FR6380100	100A	230VAC	RCCB 100mA class A (Time Delayed)	QFS 3



## 80A domestic service fused switch

- Double Pole Switch
- Insulated Thermosetting Polymer Enclosure
- Supplied complete with 80A type ME fuse and cable duct

Part Number	Rated Current	Rated voltage	Utilisation Category	Fuse	Dimensional Drawings
MSF	80A	230VAC 50Hz	AC21	IEC60269-3 (BS88-3)	MSF

• For dimensional drawings please refer to page 22.

# Electricity Isolation

**NEW**

Provides for electrical isolation between the DNO kWh meter and consumer unit or distribution board. The isolation switch permits the supply to the installation to be interrupted without withdrawing the DNO cut out fuse. Available as either an empty enclosure or with integrated main switch.



Manufactured from durable ABS material, the insulated enclosure features two separate interlocking covers, permitting the installation and separate security sealing of supply and load conductors.

Supplied complete with cable entry plugs to maintain ingress protection when DNO service head and meter are installed prior to consumer unit installation.



Covers can be sealed either by steel wire  $\leq \text{Ø}3\text{mm}$  with lead crimp, or flat plastic zip tie  $\leq 4\text{mm}$  width.



## Electricity Isolator Switch

- Available in 2 module enclosure complete with 100A DP Main Switch, or in 4 module enclosure complete with 100A 4P Main Switch.
- Ingress rating IP20 IK07
- Designed for use with 16mm<sup>2</sup> & 25mm<sup>2</sup> double insulated meter tails type 6181Y

Part Number	Enclosure modules	Main Switch	Dimensional Drawings
SLM2-MS	2	100A DP	SLM2
SLM4-MS	4	100A 4P	SLM4



## Electricity Isolator Switch Enclosure

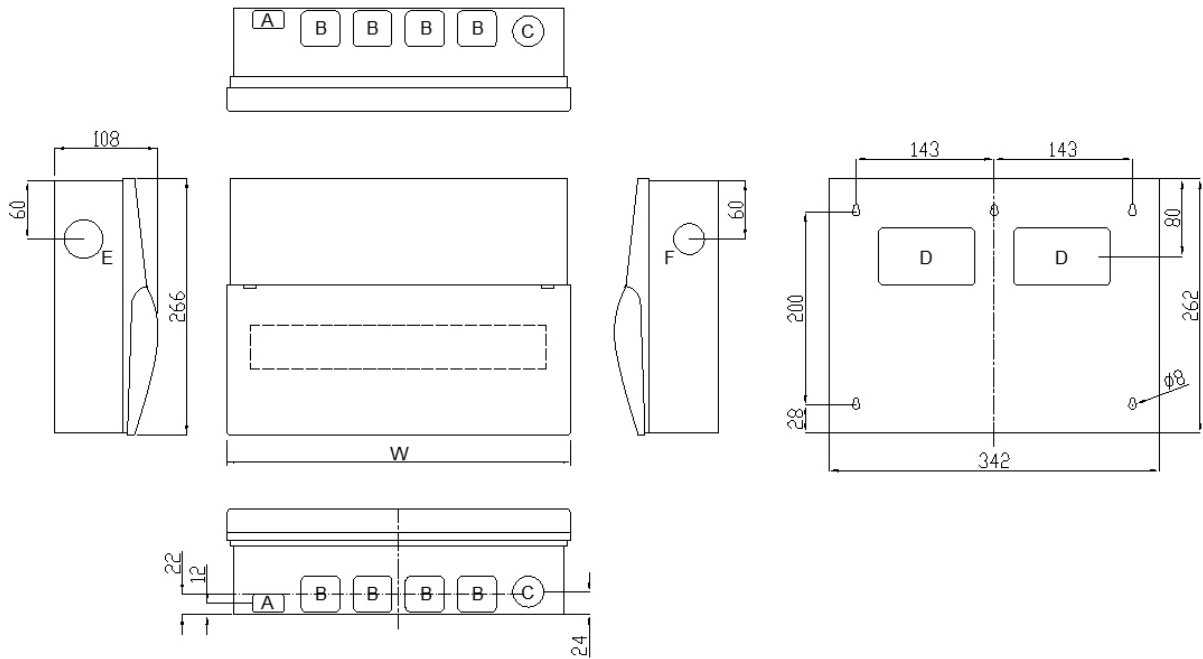
- Available in both 2 module and 4 module enclosure sizes.
- Designed for use with 16mm<sup>2</sup> & 25mm<sup>2</sup> double insulated meter tails type 6181Y
- Ingress rating IP20 IK07

Part Number	Enclosure modules	Main Switch	Dimensional Drawings
SLM2	2	-	SLM2
SLM4	4	-	SLM4

• For dimensional drawings please refer to page 23.

# DIMENSIONAL DRAWINGS

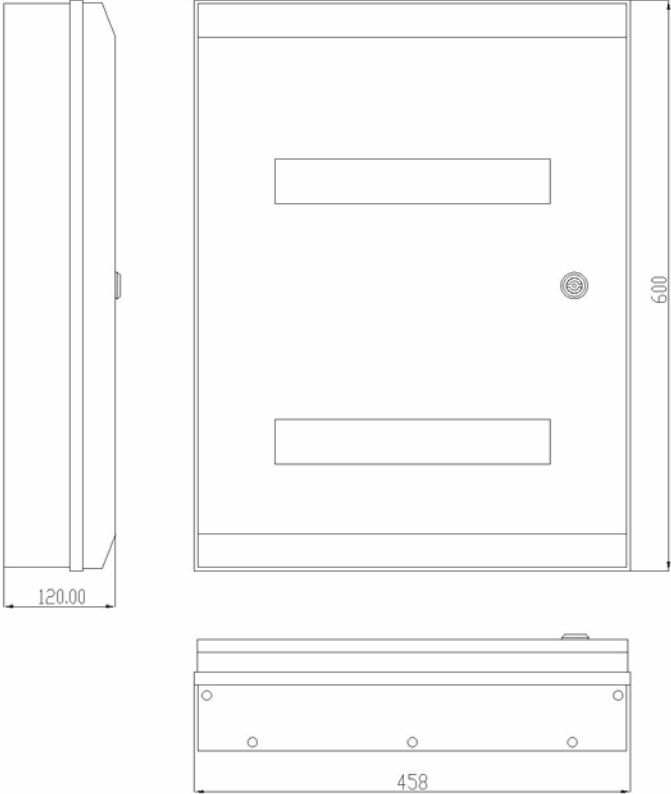
## PRO



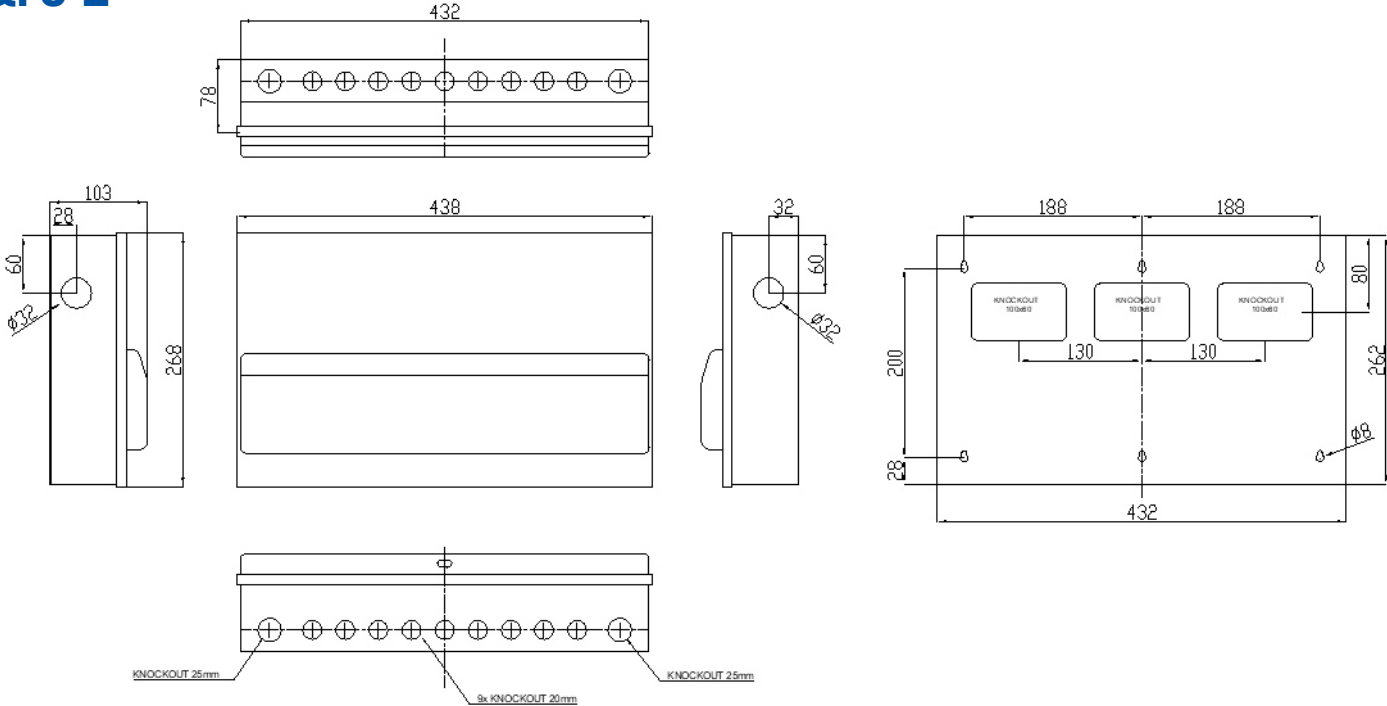
Drawing Ref	Part Number	Enclosure Total modules	Enclosure Width W (mm)	Knockouts Top & Bottom faces			Knockouts Rear face			Knockouts Left face			Knockouts Right face		
				Ref	Size	Qty	Ref	Size	Qty	Ref	Size	Qty	Ref	Size	Qty
PRO1	PRO-MX04M	5	136	A	33x18	2	D	60x60	1	E	Ø32	1	F	Ø25	1
	PRO-MX04R														
	PRO-MCGARAGE-MS														
	PRO-MCGARAGE-63														
PRO2	PRO-MC05ENC	9	210	A	33x18	1	D	60x60	2	E	Ø40	1	F	Ø32	1
	PRO-MX08M														
	PRO-MX08R														
PRO3	PRO-MC09ENC	11	244	A	33x18	1	D	60x60	2	E	Ø40	1	F	Ø32	1
	PRO-MX10M														
	PRO-MX10R														
PRO4	PRO-MC11ENC	13	281	A	33x18	1	D	100x60	2	E	Ø40	1	F	Ø32	1
	PRO-MX12M														
	PRO-MX12R														
	PRO-MX12XXM														
PRO5	PRO-MX12RRMFLEXIA	17	353	A	33x18	1	D	100x60	2	E	Ø40	1	F	Ø32	1
	PRO-MC13ENC														
	PRO-MX16M														
	PRO-MX16XXM														
PRO6	PRO-MX16RRMFLEXIA	22	443	A	33x18	1	D	100x60	3	E	Ø40	1	F	Ø32	1
	PRO-MC17ENC														
	PRO-MX21M														
	PRO-MX21XXM														
	PRO-MX21RRMFLEXIA			B	40x37	1									
	PRO-MC22ENC			C	Ø32	5									

# DIMENSIONAL DRAWINGS

## QFS 1

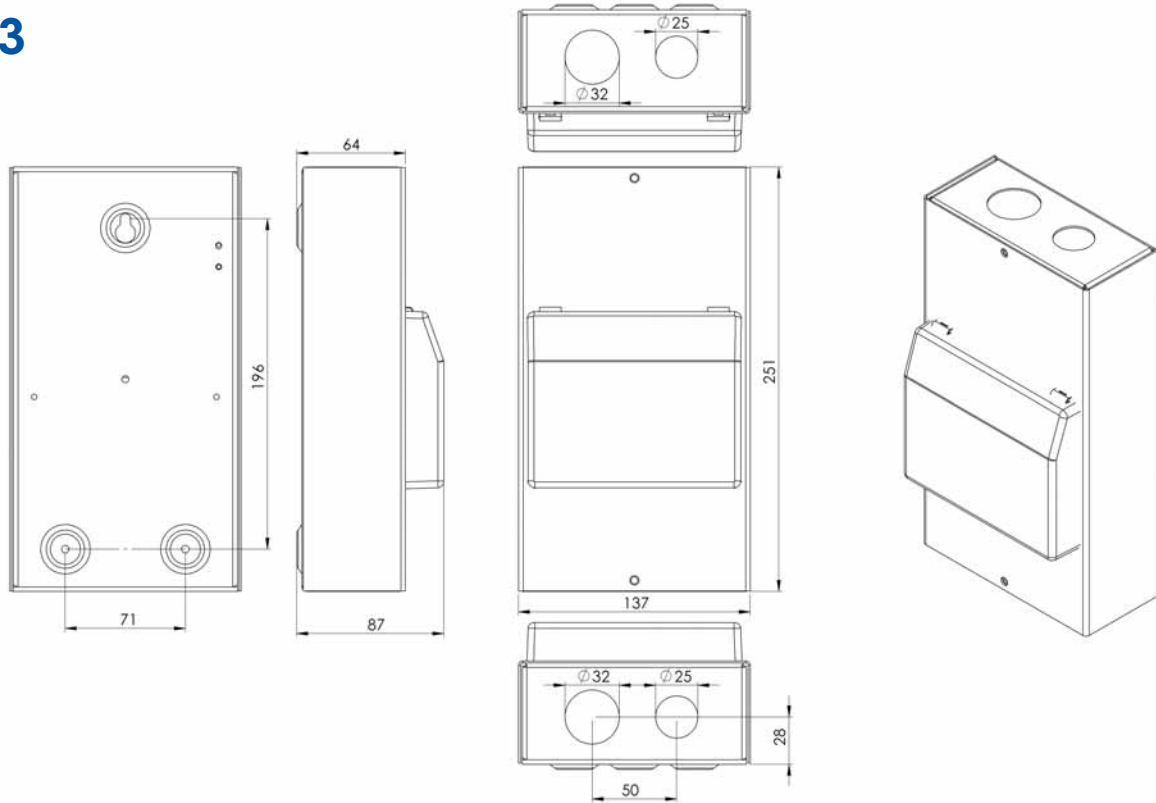


## QFS 2

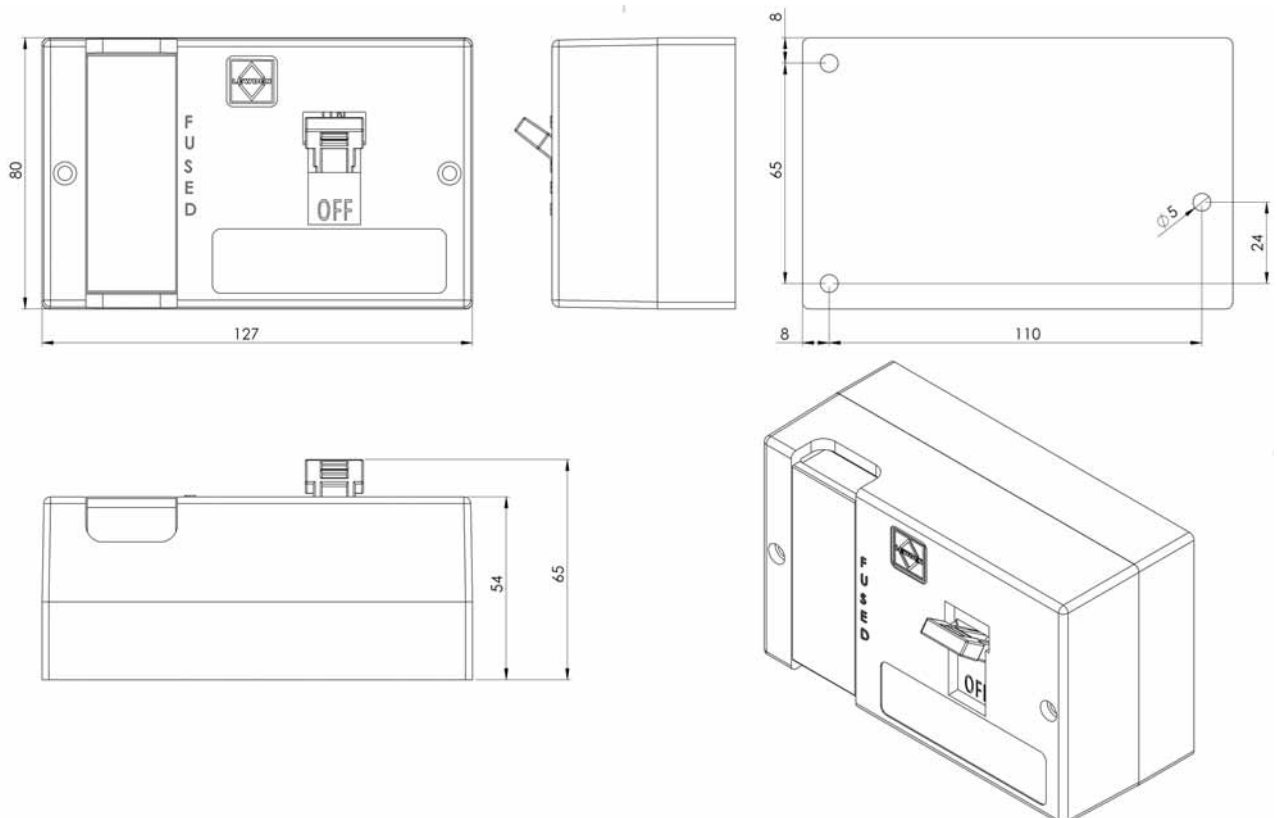


# DIMENSIONAL DRAWINGS

## QFS 3

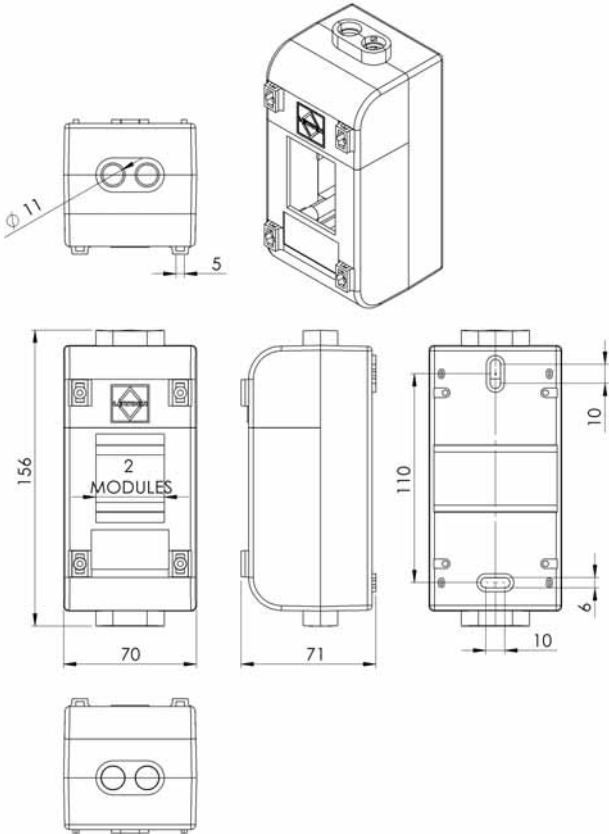


## MSF

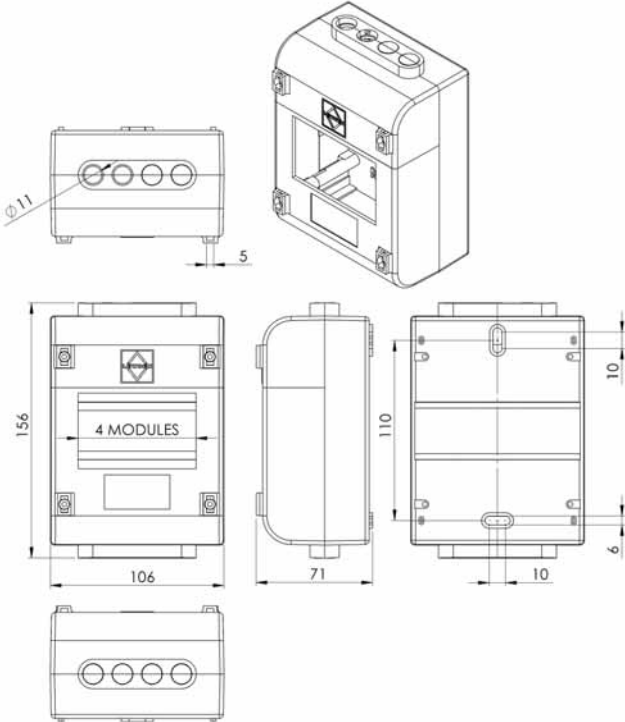


# DIMENSIONAL DRAWINGS

## SLM 2



## SLM 4





**Palazzoli**  
GROUP

For more information contact your  
local Lewden Regional Sales Managers

London North & East Anglia  
Tel : +44 (0) 7771 898 265

London South & South East  
Tel : +44 (0) 7973 838 465

South West  
Tel : +44 (0) 7919 922 910

East Midlands  
Tel : +44 (0) 7760 466 378

West Midlands  
Tel : +44 (0) 7831 199 341

North  
Tel : +44 (0) 7764 293 501

Scotland  
Tel : +44 (0) 7970 767 299

Northern Ireland  
Tel : +44 (0) 2890 757 191



Postcodes Nationwide

London North & East Anglia		London South & South East		South West		East Midlands		West Midlands		North		Northern Ireland		Scotland	
AL	MK	BN	SE	BA	NP	LN	B	S	BB	IM	BT		AB	ML	
CB	N	BR	SL	BH	PL	NG	CH	SK	BD	LA			DG	PA	
CM	NR	CR	SM	BS	SA	LE	CW	ST	BL	LS			EH	PH	
CO	NW	CT	SO	CF	SN	PE	DE	SY	CA	NE			G	TD	
E	RM	DA	SW	DT	SP	NN	DY	TF	DH	OL			HS	DD	
EN	SG	GU	TN	EX	TA	DN	HR	WA	DL	PR			KA	IV	
HA	SS	KT	TW	GL	TQ	CV	L	WN	FY	SR			KW	FK	
HP	W	ME	UB	GY	TR		LD	WR	HD	TS			KY	ZE	
IG	WD	PO	EC	JE			LL	WS	HG	WF					
IP	WT	RG	WC				M	WV	HU	YO					
LU	OX	RH							HX						

For all general enquiries call our sales team on **+44 (0) 1376 336 200**



LEWDEN LTD  
Unit 4, Bradbury Drive,  
Springwood Industrial Estate,  
Braintree  
Essex  
CM7 2SD

Tel.: +44 (0) 1376 336 200  
Fax: +44 (0) 1376 322 161  
sales@lewden.co.uk

www.lewden.com



For instant access to technical support through  
our team of expert engineers.