



## 13A USB Power Socket Outlets



Eliminate the need for bulky chargers and free up your plug sockets with a 2 gang switch with integrated USB. The convenient USB port is centrally located to avoid cable interference from anything that maybe be plugged into the sockets.

Suitable for most tablets, smart phones, cameras and other USB devices, all of which can still be used whilst charging. Our single USB output guarantees optimum charge rate regardless of the device charging.

## 13A USB Power Socket Outlets

### Product Range

#### 13A USB Power Socket Outlets

<b>CMA771</b>	13A 1 Gang Switched Socket with Single USB Charging Outlet
<b>CMA770</b>	13A 2 Gang Switched Socket with Single USB Charging Outlet



CMA771

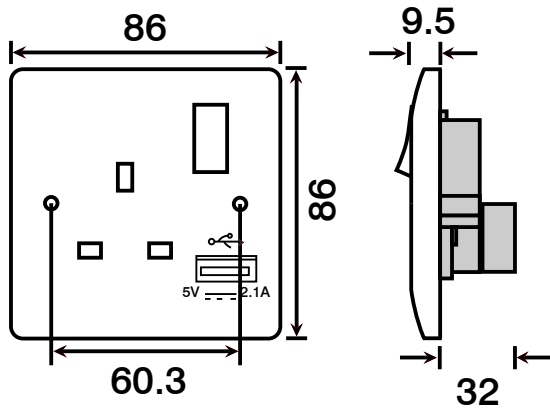


CMA770

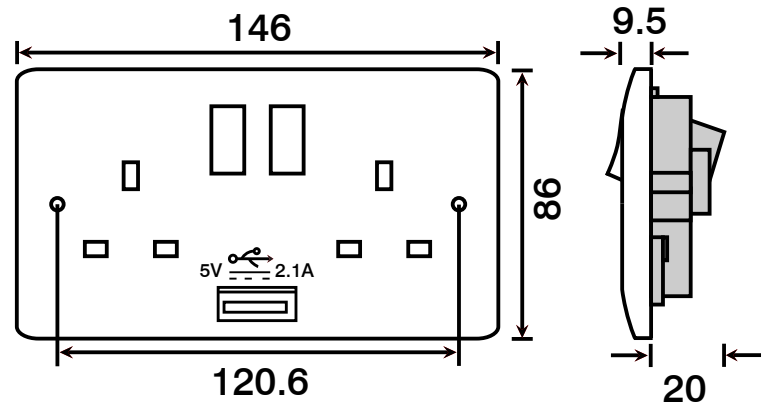
## 13A USB Power Socket Outlets

### Product Dimensional Drawings (mm)

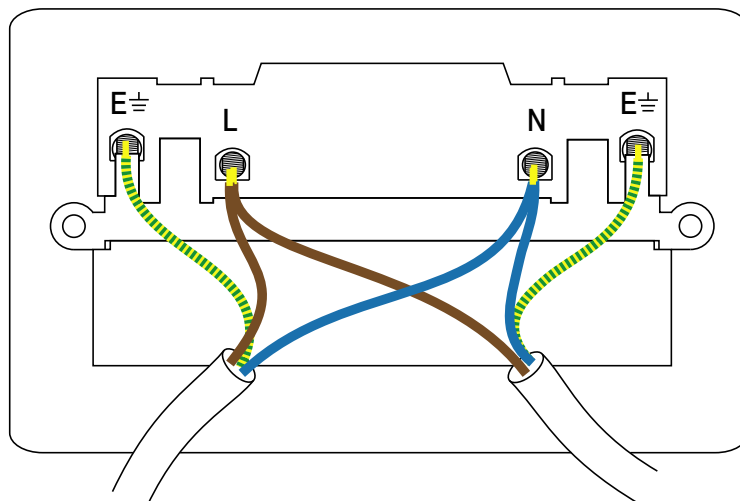
CMA771



CMA770



### Product Wiring Diagram



## 13A USB Power Socket Outlets

### Technical Specification

#### 13A USB Power Socket Outlets

<b>Material Composition</b>	Front Plate, Rocker Switch & Rear Housing: Urea Terminals: Brass, Terminal Screws: Steel & Yellow Passivated Earth Strap: Mild Steel, Silver “on-lay” Copper / Brass Contacts
<b>Voltage</b>	240V~ 50Hz
<b>Current Rating</b>	13A
<b>Terminal Size</b>	5mm ø
<b>Torque Value</b>	2.5Nm
<b>Cable Size</b>	4 x 2.5mm <sup>2</sup>
<b>Back Box Depth</b>	35mm - 47mm (1 Gang), 25mm - 47mm (2 Gang)
<b>Switched</b>	Yes
<b>Double Pole</b>	No (Single Pole)
<b>Twin Earth</b>	Yes
<b>USB Charging Output</b>	5V DC, 2.1A
<b>USB Output Connector</b>	USB Type “A”
<b>USB Standby Current</b>	2mA
<b>Warranty</b>	1 Year
<b>IP Rating</b>	IP20
<b>Operational Temperature</b>	-5° to +40°C
<b>Standards</b>	BS 5733:2010 + A1:2014 (Ref: BS 1363-2: 1995 +A4:2012) BS EN 60950-1:2006 + A2:2013 (USB Charger) EN 61000-6-1:2007, EN 61000-6-3:2007 + A1:2011 (EMC)

### Additional Information

Make certain that all USB Socket Outlets are disconnected before Mega Testing the circuit to protect electronic components

Ensure that the mains supply is isolated before commencing installation and refer to the circuit diagram with the relevant product.

Bare earth cables must always be covered with appropriate sleeving and wired to the earth terminal.

Errors & Omissions excluded. Specification is subject to change without notice.

V1.0

Scolmore International Ltd, 1 Scolmore Park, Landsberg, Lichfield Road Ind. Estate, Tamworth, Staffordshire, B79 7XB

**Telephone:** 01827 63454

**E-mail:** sales@scolmore.com, technical@scolmore.com

**Facsimile:** 01827 63362

**Website:** www.scolmore.com

## DECLARATION OF CONFORMITY

1. *Issuer Name* Scolmore International Limited
2. *Issuer Address* 1 Scolmore Park, Landsberg,  
Lichfield Road Industrial Estate,  
Tamworth, Staffordshire, B79 7XB
3. *Object(s) of Declaration* Mode Range
  - a. *Group* USB Charging Socket Outlets
  - b. *Model No.* CMA770, CMA771
4. *The object of the declaration described above is in conformity with the requirements of the following Legislations:*

Document No	Title
2014/35/EC	Low Voltage Directive

5. *All products contained within the aforementioned comply with the relevant standards and requirements listed below.*

BS 5733: 2010 + A1: 2014 (with reference to BS 1363-2: 1995 + A4: 2012)

BS EN 60950-1: 2006 + A2: 2013

EN 61000-6-1: 2007, EN 61000-6-3: 2007 + A1: 2011

6. *I hereby declare that the equipment named above has been designed to comply with the relevant sections of the above referenced specifications. The unit complies with all applicable Essential Requirements of the Directives.*

*In conjunction with the above all manufacture and process controls are in accordance with ISO 9001:2008.*

This declaration has been issued under the sole responsibility of the manufacturer, signed at, for and on behalf of: Scolmore International Limited

*R Turner*

Ross Turner - Technical Support Engineer