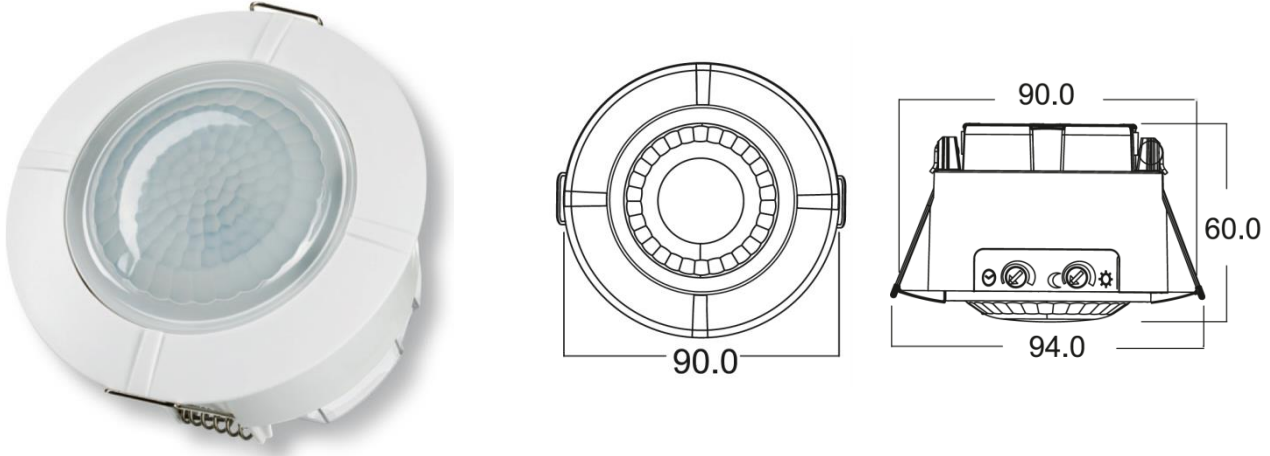


# Data sheet

SLFM360N– 360° Ceiling PIR Presence Detector, Flush Mount

## Product Image & Line Diagram



## Technical Data

<b>General</b>	
Operating Voltage	230V AC
Frequency	50Hz
Installation Type	Flush
Ceiling Cut-out	75mm diameter
Class Protection	Class 2
Number of Channels	1
Weatherproof Rating	IP44
Parasitic Power Consumption	<0.5W
Operating Temperature	0°C to +40°C
Accessories (Included)	Instructions, Fittings, Cable clamps
Switch Rating	2000W Incandescent/Halogen, 500W Fluorescent (low-loss ballast) 200W Fluorescent (Electrical Ballast), 250W LED (PF>=09), 75W Fan
Accessories (Optional)	None
Dimensions	Height 90mm, Width 90mm, Depth 60mm
Weight	90g
EAN	5012483014790
Designed In Accordance To	BS EN 60669-2-1 Includes updates & amendments.
Guarantee Period	3 Years
<b>PIR Sensor</b>	
Detection Angle	360°
Light ON Time	3 seconds to 18 minutes, User adjustable
Slave Terminal	Yes
Detection Range	Motion: Up to 8 meters at 3m mounting height. Presence: Up to 4 metres at 3m mounting height
Permanent ON Facility	Yes, Pulse for approximately 6 hours max
Dusk Until Dawn Mode	No
Lux Level	1 - 1000, User adjustable
<b>Construction;</b>	
PIR	Polycarbonate